

Válvulas de control direccional

Válvula direccional de control Electro-hidráulica

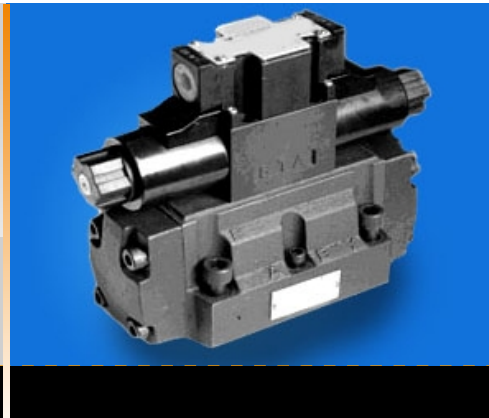


Descripción de modelo

Working pressure		Remarks	
0 m it 28M Pa			
H- 35M Pa		Serial number	
FW H		Seal material	
Electro-hydraulic directional control valve		NBR 0 m it NBR seal	
FH		V FPM FPM seal	
Hydraulic operated directional control valve		0 m it No reducing valve	
Specification		D3	W ith reducing valve
03 10 NS10		0 m it No prepressing valve	
04 16 NS16		P4.5	W ith prepressing valve
06 25 NS25		0 m it No stroke adjusting device	
Connect Type		Head A of main valve w ith stroke adjustment	
0 m it D in-connector type		Head B of main valve w ith stroke adjustment	
Z6	Wire box type	Both heads w ith stroke adjustment	
Main valve return type		0 m it No shifting time adjustment	
0 m it Spring return		W ith shifting time adjustment Inlet flow control	
H	Hydraulic centration	W ith shifting time adjustment Outlet flow control	
Function code		0 m it No damping	
Details as following symbol table		08 Ø0.8	Damping
Working voltage		10 Ø1.0	Damping
D12	DC12V	12 Ø1.2	Damping
D24	DC24V	0 m it Inlet/Inlet/Inlet	
A110	AC110V	XY	Ext/Inlet/Inlet/Inlet
A220	AC220V	X	Ext/Inlet/Inlet/Inlet
B110	AC110V Rectified	Y	Inlet/Inlet/Inlet/Inlet
B220	AC220V Rectified	0 m it w ithout emergency push rod	
Z4	Square connector	W ith emergency push rod	
Z5	Large square connector		
Z5L	Square connector w ith light		
		N9	

Explicación

1. Para hacer un pedido de Medio descarga de la válvula de control direccional hay que hacerlo de forma independiente. No existe un modelo (FWH-03) de la válvula de control direccional de electro-hidráulico.



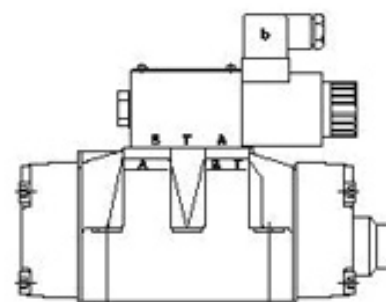
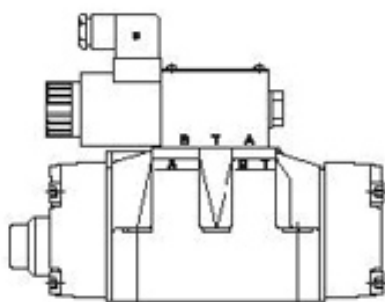
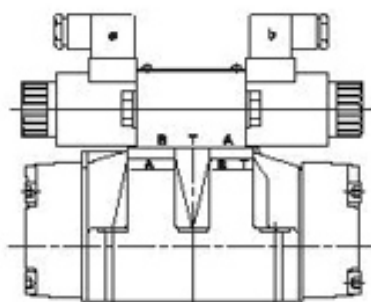
Válvulas de control direccional

○ Código de símbolos

3C2		2B2B		2B2BL		2B2	
3C3		2B3B		2B3BL		2B3	
3C4		2B4B		2B4BL		2B8	
3C5		2B5B		2B5BL		2B2L	
3C6		2B6B		2B6BL		2B3L	
3C7		2B7B		2B7BL		2B8L	
3C9		2B9B		2B9BL			
3C10		2B10B		2B10BL			
3C11		2B11B		2B11BL			
3C12		2B12B		2B12BL			
3C25		2B25B		2B25BL			
3C29		2B29B		2B29BL			

FW 0 -	
FW 0 -	
FW 0 -	
FW 0 -	

○ Nombre del solenoide



1. Cuando el movimiento a, $P \rightarrow A \rightarrow B \rightarrow T$
2. Cuando el movimiento b, $P \rightarrow B \rightarrow A \rightarrow T$
3. 3C6 Flujo de aceite en la dirección opuesta movimiento citado anteriormente